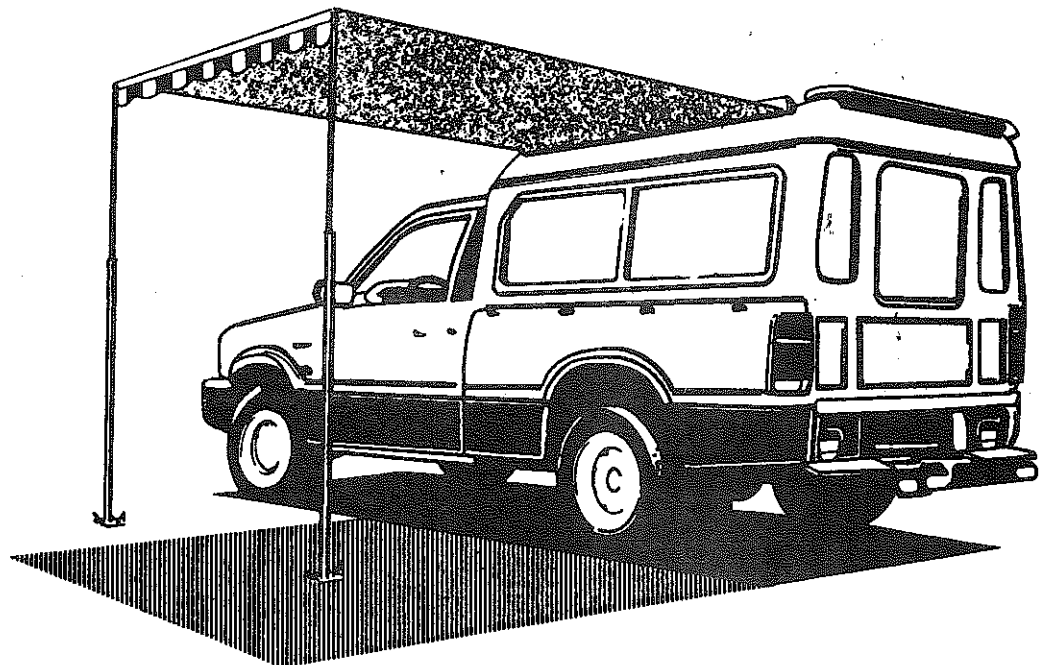




# 2000

## OPERATING INSTRUCTIONS

P.O. Box 68323, Bryanston 2021  
14 Susan Str. Strydompark Randburg  
Tel:- (011) 792-1731 Fax:- (011) 791-0727  
South Africa



## HELPFUL HINTS

1. Periodically clean the fabric with any detergent. (Let the fabric dry before rolling it up. This also helps prevent mildew.) Cleaning is especially important prior to storing the awning for long periods of time to prevent mildew and stains.
2. Use paraffin wax on Support Arms and Rafter Arms for smoother sliding movement.



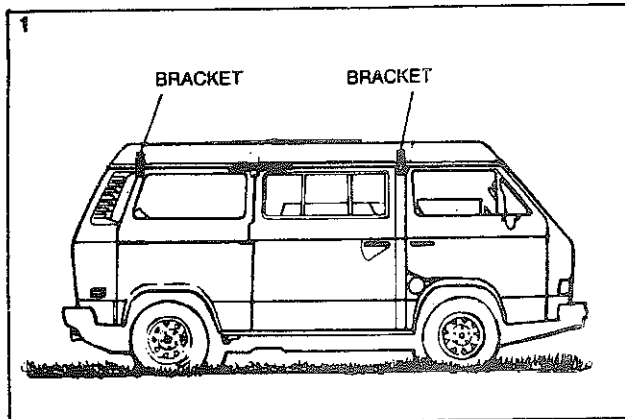
P.O. Box/Posbus 68323  
 Bryanston 2021  
 Tel: (011) 792-1731  
 South Africa  
 Suid-Afrika

## INSTALLATION VAN ADAPTOR KIT

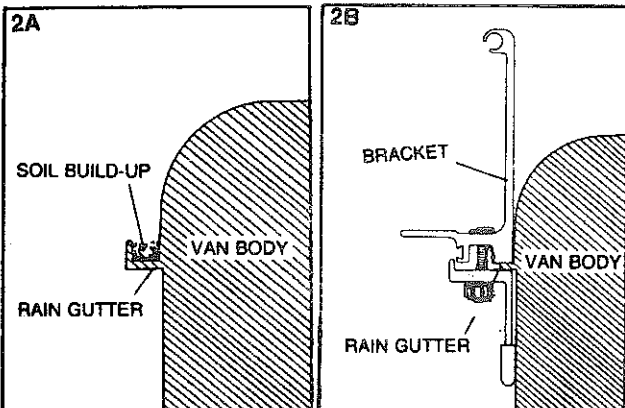
**Application:** For use on EEZI-AWN2000 for temporary or permanent mounting without drilling holes on the vehicle.

**IMPORTANT:** Read all of the following steps before beginning installation. • EEZI-AWN reserves the right to modify appearances and specifications without notice.

1. Locate and position two Adapter Brackets on the rain gutter as shown in Figure 1.

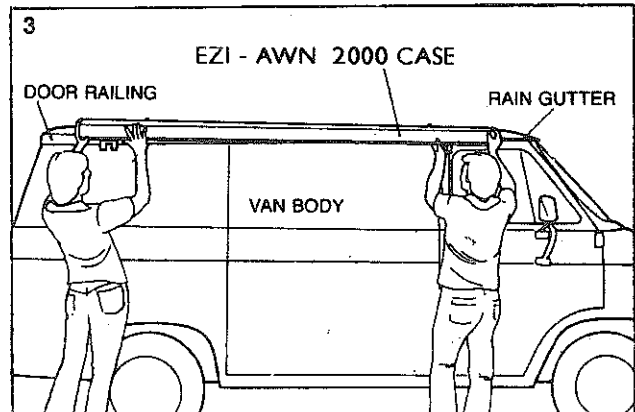


The Brackets must be positioned so as not to interfere with the passenger door, sliding door or swing-out door.



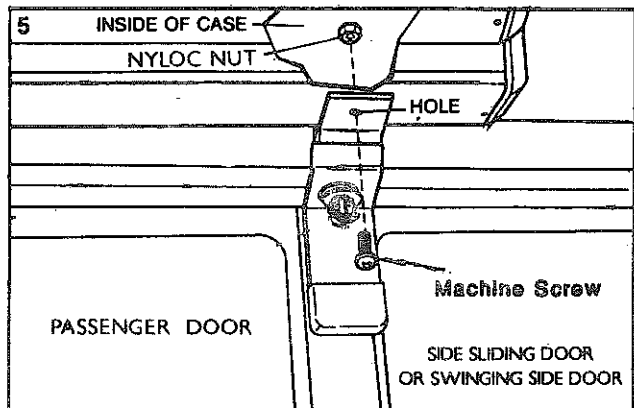
2. Before proceeding on to Step 3 check rain gutter for possible soil build-up by running your finger along the inside of the rain gutter. (Fig. 2A)  
 All build-up must be cleaned out for the Mounting Bracket to fit properly. (Fig. 2B)

3. After Brackets are in place on the van, Slide Awning Case onto Brackets and into desired position.



4. Prevent the Case from shifting or sliding back and forth by completing the following steps. Using a 4mm drill bit, drill a hole into the Case, to correspond with the hole in the front Mounting Bracket. (Fig. 5)

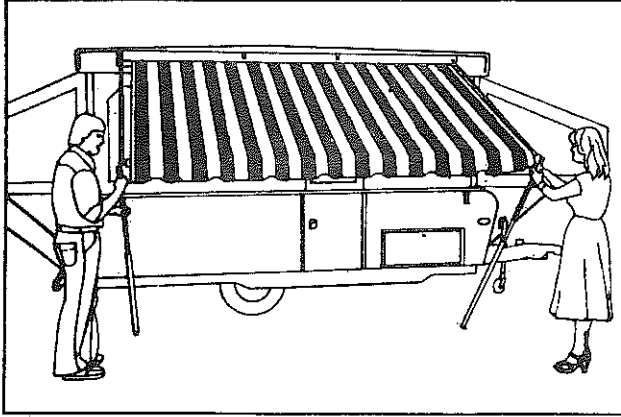
**WARNING:** Awning Fabric **MUST** be removed before drilling to prevent damage to the Fabric.



Insert the Machine screw through the holes in the Bracket and Case and secure with the Nyloc Nut on the inside.

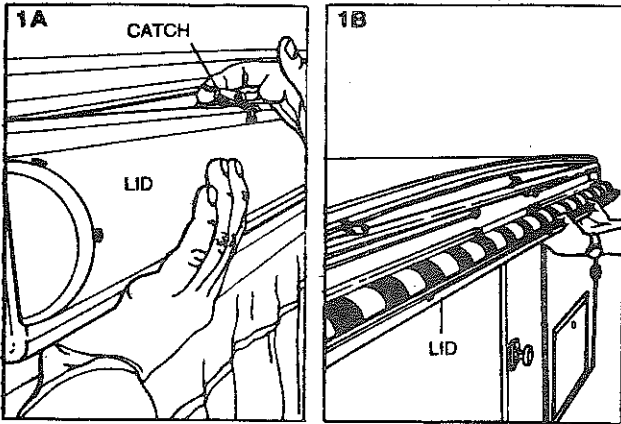
5. Awning is now ready for use.

# TO OPEN

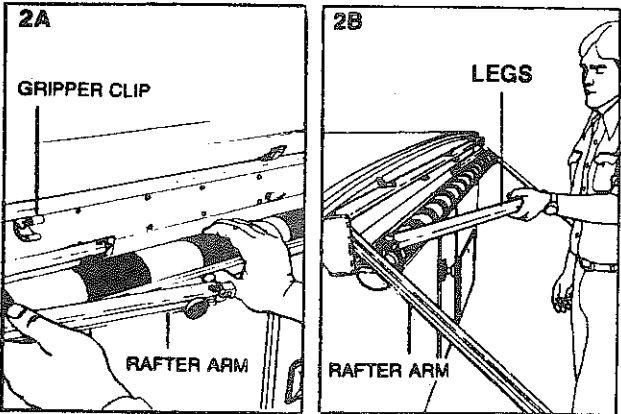


**NOTE:** The following instructions are intended for one-person operation. When two persons are available, the entire operation can be simplified by attending both sides of the Awning simultaneously, as illustrated above.

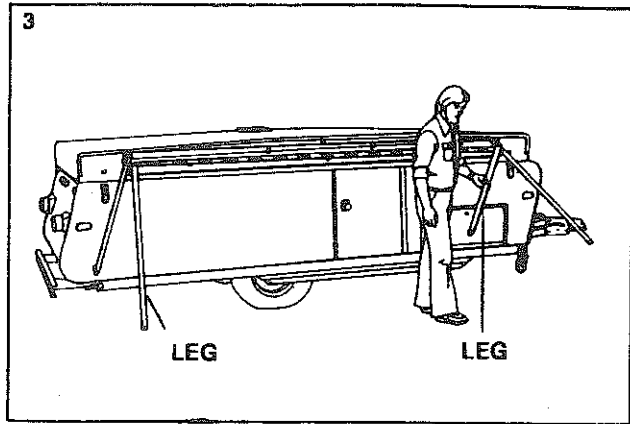
**NOTE:** For a tent trailer, step 1 through 3 should be performed prior to setting up the trailer.



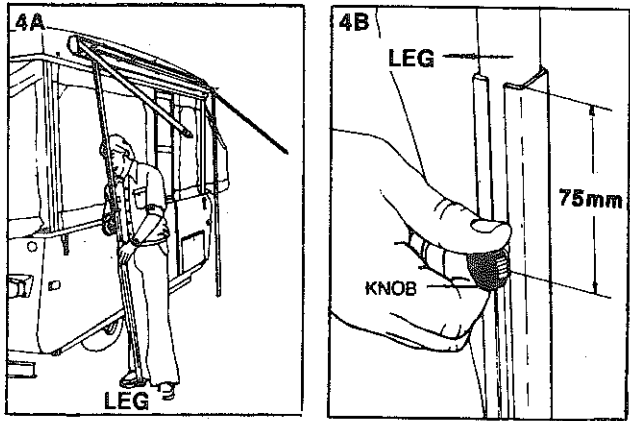
1. Unlock and open the Lid. (See Figs. 1A & 1B.)



2. Take out the two Rafter Arms held in Case with Gripper Clips, and let them hang down the sides. (See Figs. 2A & 2B.)

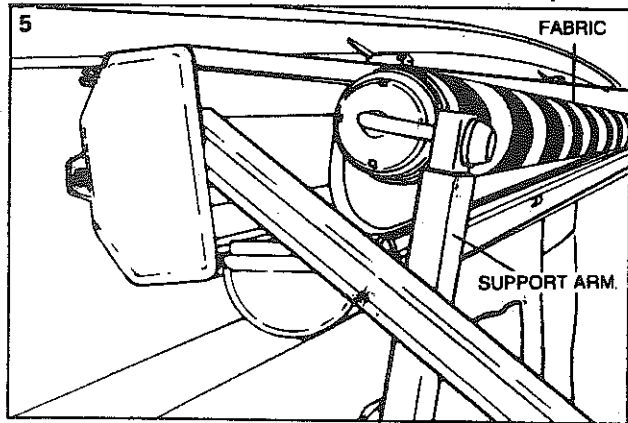


3. Take out the two Legs with Feet. ( See Fig. 3. )

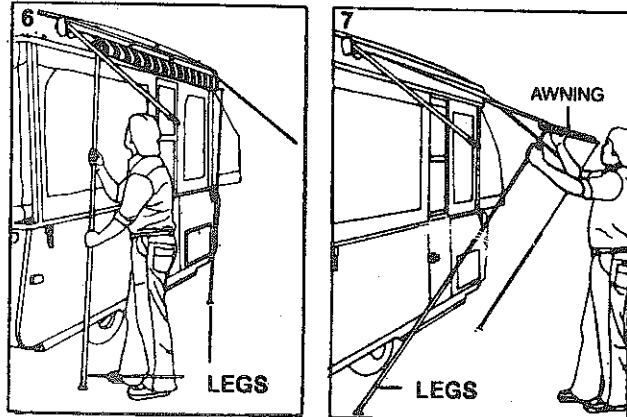


4. Loosen the Lock Knobs and extend the Legs. ( See Fig. 4A. )

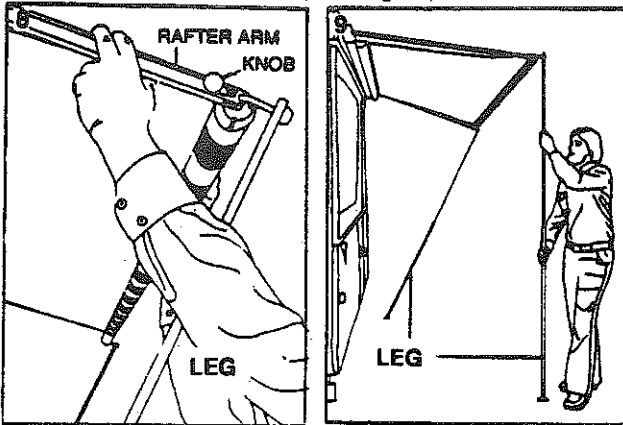
**CAUTION :** Do not extend so ther is less than 75mm of inner leg remaining inside the outer Arm. (see Fig. 4B. )



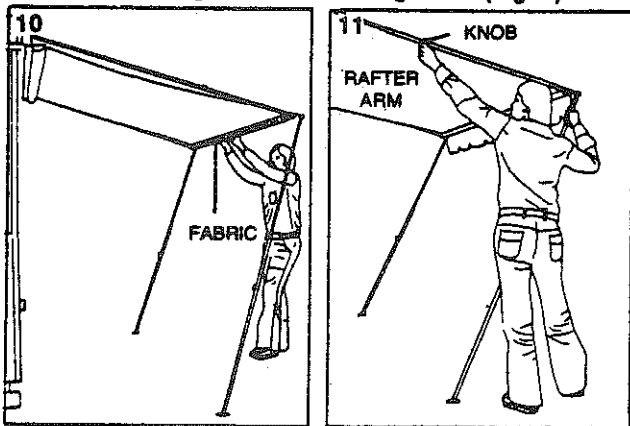
5. Lift out the rolled up Fabric. (See Fig. 5.)



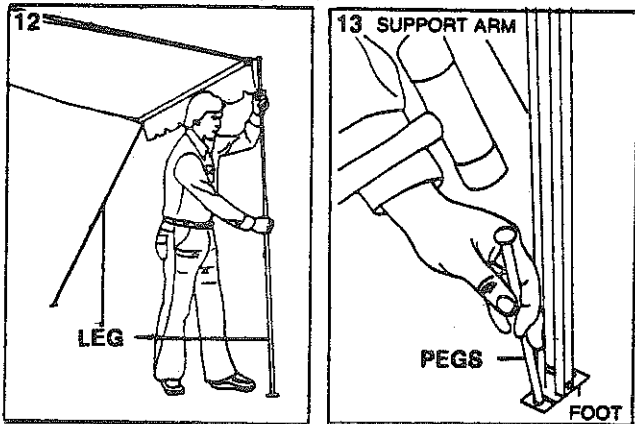
6. Rest both Legs straight on ground. (See Fig. 6)
7. Roll out Awning halfway, by pulling on one arm while helping to unroll the fabric. (See Fig. 7.)



8. Hook the Rafter Arms onto the Torsion Rod and loosen Lock Knobs on Rafter Arms. (See Fig. 8.)
9. Stand both Legs vertical to the ground. (Fig. 9)



10. Extend the canopy all the way, by moving to the center of the Awning and unrolling the Fabric. (Fig. 10.)  
**NOTE :** It may be necessary to lower the Legs in order to reach the Roller Tube.
11. Tighten Lock Knobs in Rafter Arms, to hold the canopy in taut tension. (See Fig. 11.)



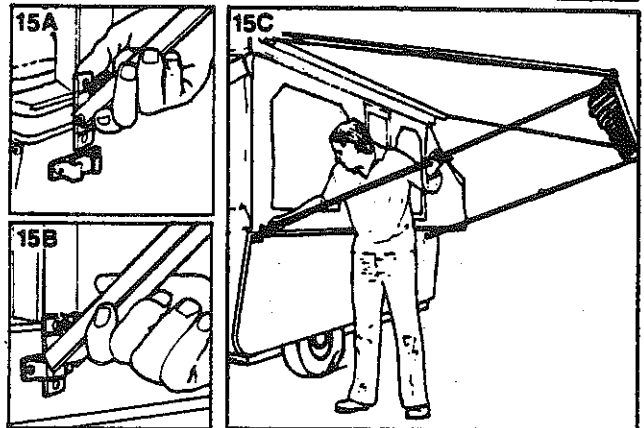
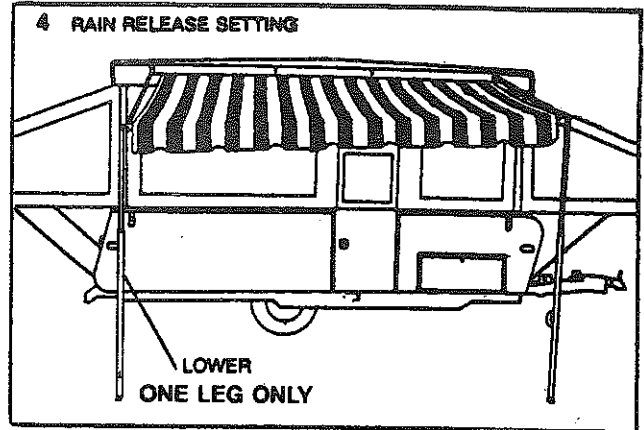
12. Place the Legs in vertical position and adjust height. (Fig. 12. )
13. Drive the supplied Peg through the Feet, to secure the Legs to the ground. ( Fig. 13 )

The EEZI-AWN 2000 is now ready for you to enjoy.

14. Rain Release Setting: To avoid damage to the Awning due to rain water collecting on the canopy, simply lower one of the legs, enough to let the water drain from that side. ( Fig. 14. )

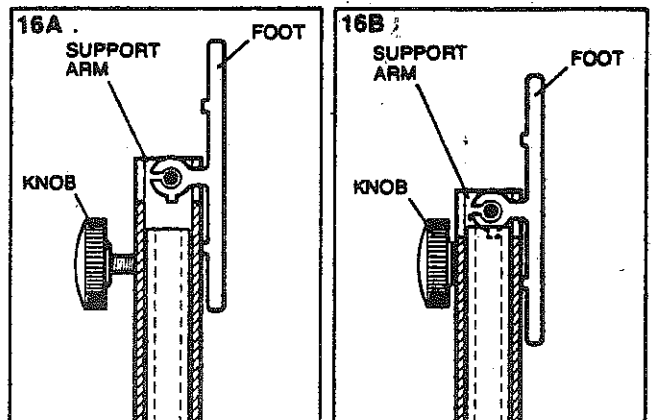
**IMPORTANT:** Any damage due to waterpooling is not covered by the Warranty

15. The 2000 Awning can be setup in the RV Pivot Position, by inserting the anchor feet into the bottom mounting brackets and adjusting the Leg lengths.



## TO CLOSE

1. Pull out the PEGS.
2. Put the Legs so that the Feet are directly below the Knobs on the Rafter Arms.
3. Loosen the Knobs on the Rafter Arms and let the Awning roll up half way.
4. Place the Feet directly below the Case.
5. Lock the Knobs and detach the Rafter Arms from the Torsion Rod.  
**CAUTION:** Do not let the Awning snap back against the vehicle.
6. Carefully let the Awning roll up all the way.
7. Lift the Awning back into the Case.



8. Place the Rafter Arms into the Gripper Clips.
9. Retract the Legs completely, retighten the Knobs, and place them into the Case.

**CAUTION :** TO prevent damage to the Awning Fabric Legs must be retracted completely and Knobs tightened before being stored in the Casings and the Feet at the base of the Legs covered.

10. Close the Lid and lock up for travel.