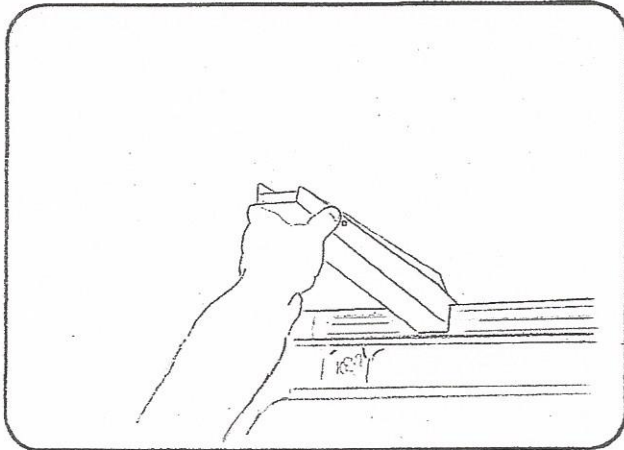
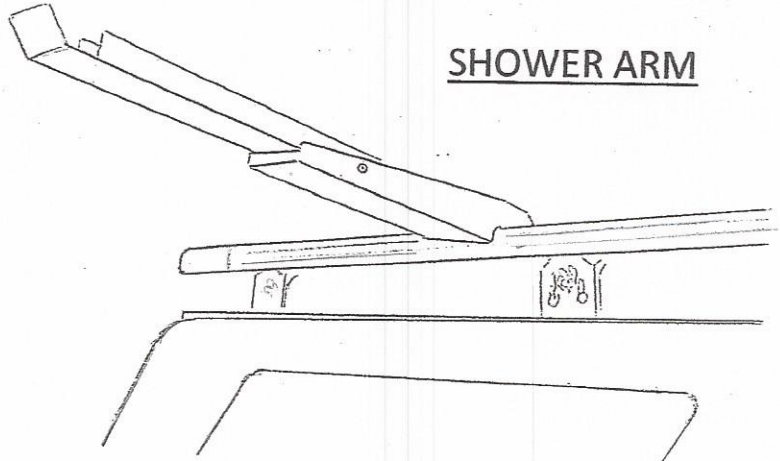
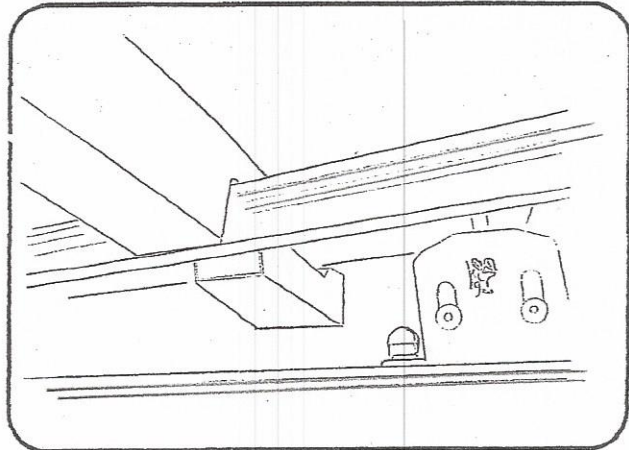


SHOWER ARM

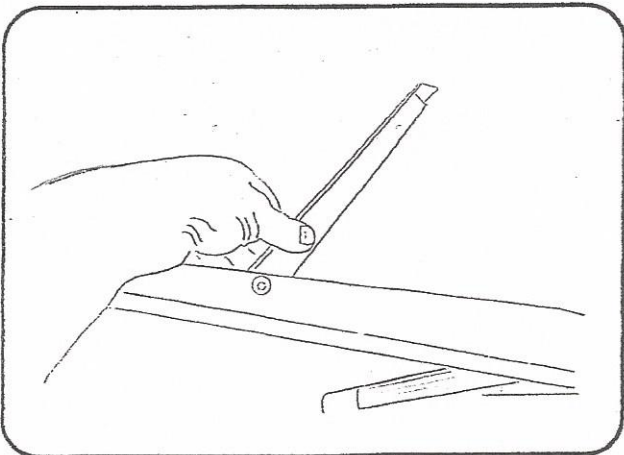
GETTING STARTED
No tools required to install
Shower arm.



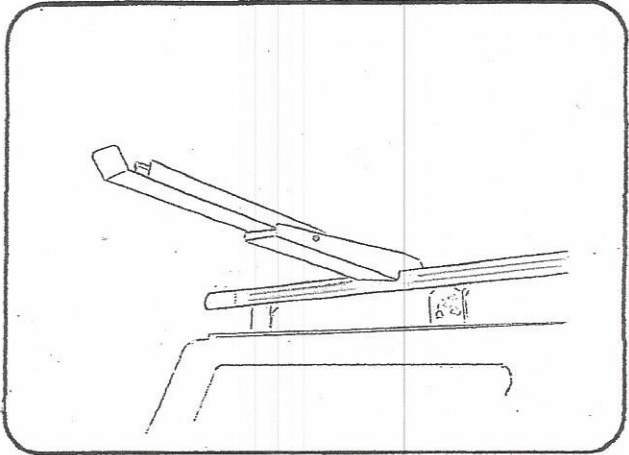
Take hold of Shower Arm and
lift to a 45 degree angle



Shower arm should sit over edge of rack
and under slat on the sides and load
bar at the back.



Open Shower arm extension.



JOB WELL DONE!!!

Eezi-Awn reserves the right to modify their equipment at their own discretion.